

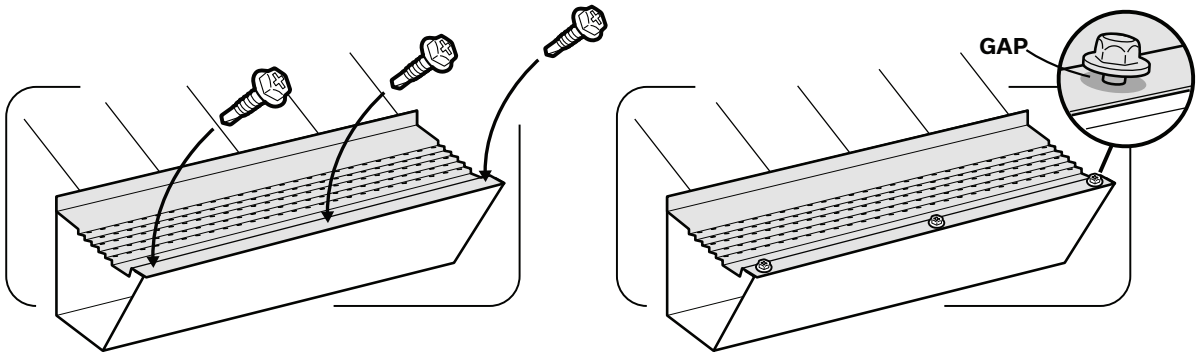
### Tools needed

- Extension Ladder
- Drill with .25" hex head driver or Phillips head bit

## Installation Help

### Installing the Exterior Light Clip Screws

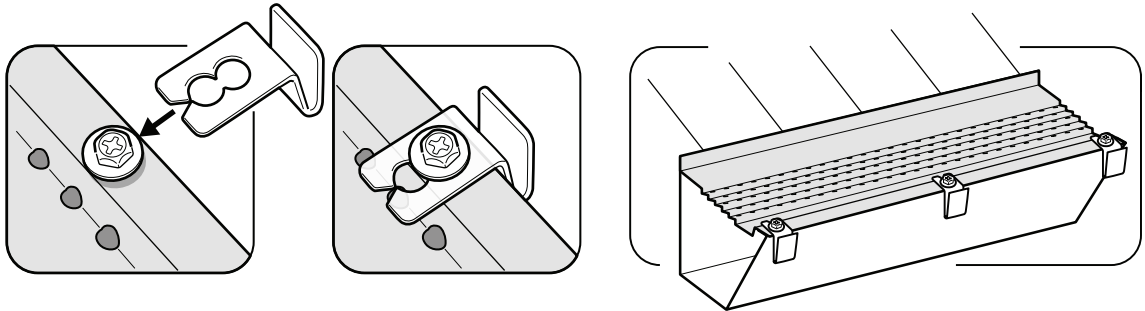
Using a drill, install the exterior light clip screws to the front lip of the gutter at the desired spacing for hanging lights. If screws are already installed on the front lip of the gutter and are #8 or smaller, simply replace them with the Exterior Light Clip Screws and add any additional screws necessary for desired spacing.



**For proper performance, install screws straight and do not overtighten. Once installed, there should be a small gap below the round washer head of the screw for the clip to attach.**

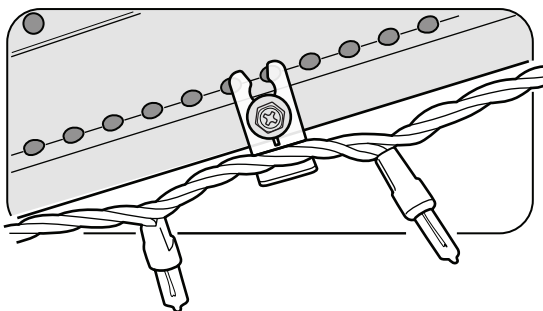
### Attaching the Exterior Light Clips

Press firmly on the clip until it snaps around the screw. For a tighter fit, press the clip until the second hole of the clip wraps around the screw.



### Hanging Your Lights

Option 1: Lay the entire braided light strand cord into the hook of the clip and gently press into place.



Option 2: Gently separate one cord from the braided light strand and insert it into the hook of the clip.

